

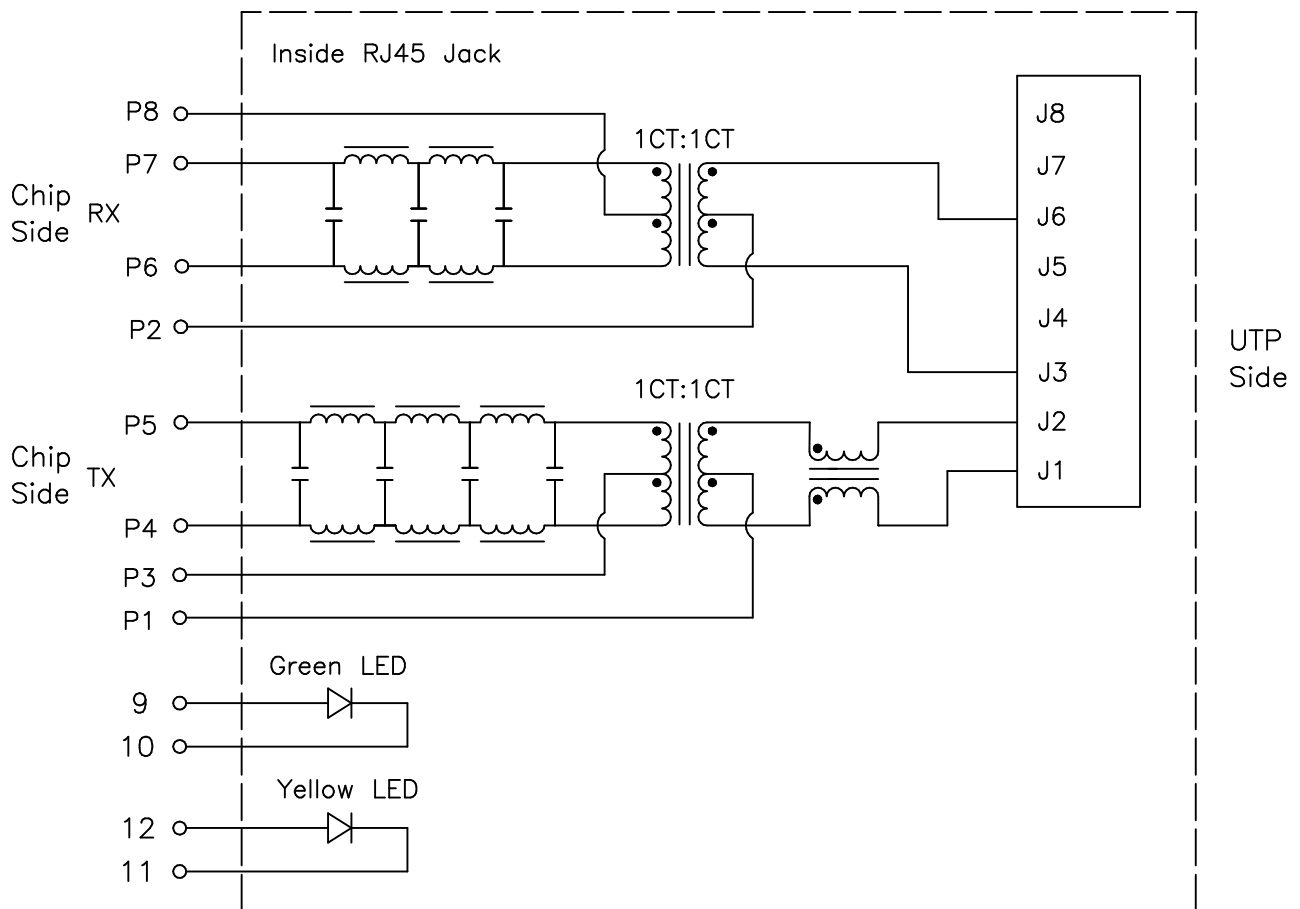
10Base-T
Single Port RJ45 Connector
with Integrated Magnetics

Part Number:
HR911170A

Electrical Specification @25°C

Isolation: 1500Vrms (UTP Side to Chip Side)
 Insertion Loss: 1.0dB Maximum @1MHz ~ 10MHz
 Return Loss: 15dB Minimum @1MHz ~ 10MHz
 Crosstalk: 30dB Minimum @1MHz ~ 10MHz
 Attenuation @30MHz
 Transmit: 30dB Minimum
 Receive: 20dB Minimum
 Cut-off Frequency: 17MHz Typical
 I/O Impedance: 100 ohms

Schematics



Part No.: HR911170A	Unless otherwise specified, Tolerance:	Rev: A	DRWN:	Date:
Dimensions in mm	.xx ±0.25	Page 1/1	APPD:	Date:
Tel: (0760) 2121067 2121679 • Fax: (0760) 2121065 • E-Mail: hanrun@pub.zhongshan.gd.cn • http: www.hanrun.com				

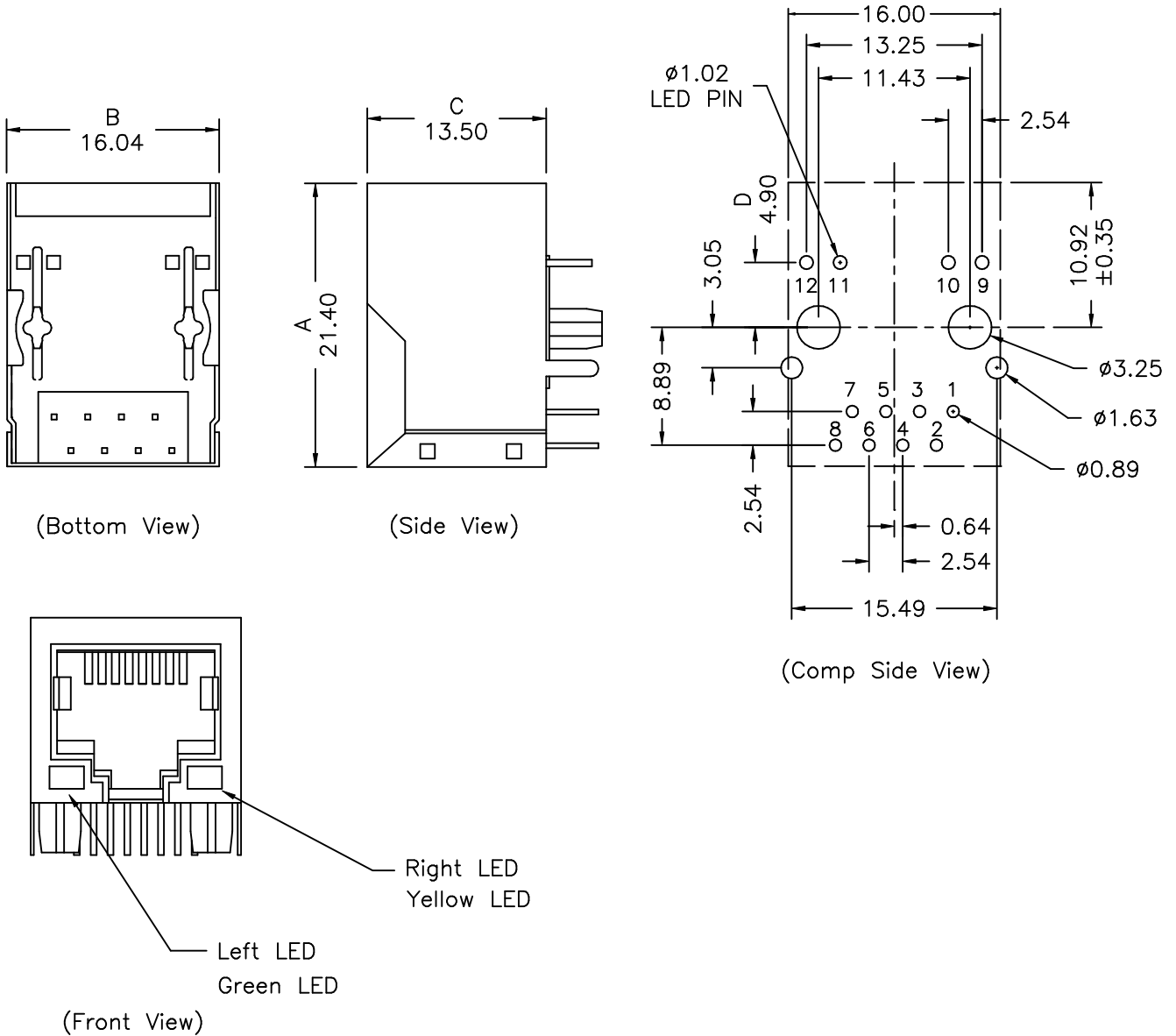
Single Port RJ45 Connector
with Magnetics Module and LED

Part Number

HR911170A (Shield Type: A)

- Designed for Network Interface Card Application
- Meets or Exceeds IEEE802.3 standards
- High performance for EMI suppression, Crosstalk, Return Loss and Consistent Electrical
- Minimum 1500Vrms isolation per IEEE802.3 requirement
- Minimize PCB space and Simplify PCB Layout
- Less magnetic components to place on PCB, Higher reliability and yields

Mechanical Dimensions:



Part No.: HR911170A	Unless otherwise specified, Tolerance: .xx ± 0.25	Rev: A	DRWN:	Date:
Dimensions in mm		Page 1/1	APPD:	Date: